



Simple Installation



Step 1
Clean fastener and substrate with Scotchbrite (light scuff) and solvent.



Step 2
Cap can only be installed one way, preventing cross-contamination.



Step 3
New cartridge design ensures easy reuse of the adhesive.



Step 4
Fit tip onto CL-AT-8040 cartridge.



Step 5
Put a large drop of adhesive in the center of the part base.



Step 6
Push part into the substrate to squeeze adhesive out from base.



Step 7
Slowly turn part clockwise while pushing until it won't turn.



Traditional Acrylic Adhesive **CL-AT-8040 No Slide Adhesive**

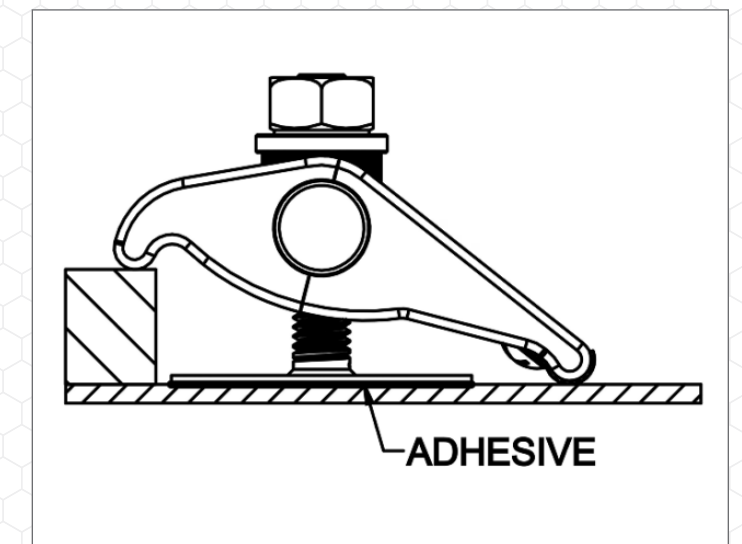
Adhesively Bonded Fasteners

No Welding or Drilling Needed!



Traditional Acrylic Adhesive

CL-AT-8040 No Slide Adhesive



Bonds to Metal, Plastic And Composites!

Our wide range of fasteners includes studs, floating nut plates and lanyard mounts (see inside). This unique system of fasteners is designed to be adhesively bonded to almost any substrate — metal, plastic or composite.

The WELD MOUNT® No-Slide Adhesive is specifically formulated to hold any of our adhesively bonded fasteners without sliding or sagging, even on a vertical or overhead surface, with no need for fixturing.

WELD MOUNT® is a registered trademark of Royal Adhesives and Sealants, LLC.

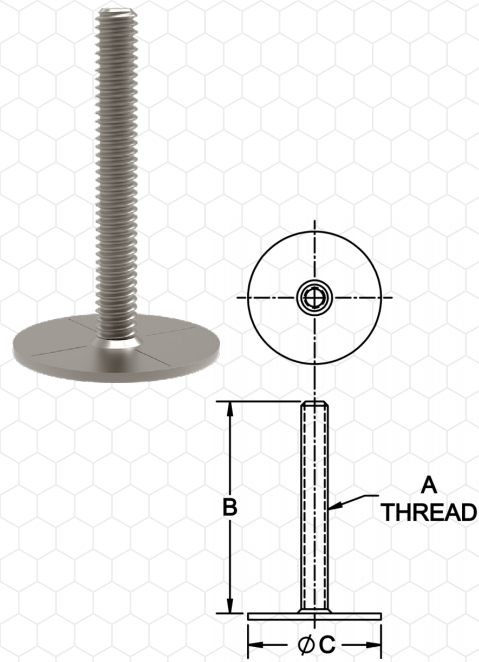
Numerous Applications

- Use wherever welding is not allowed
- Use when labor rates make welding or drilling a costly endeavor
- Non-metal surfaces
- For quick repair; adhesive is 75% of final strength in just 45 minutes

Adhesive Bonded Fasteners

Adhesively Bonded Studs

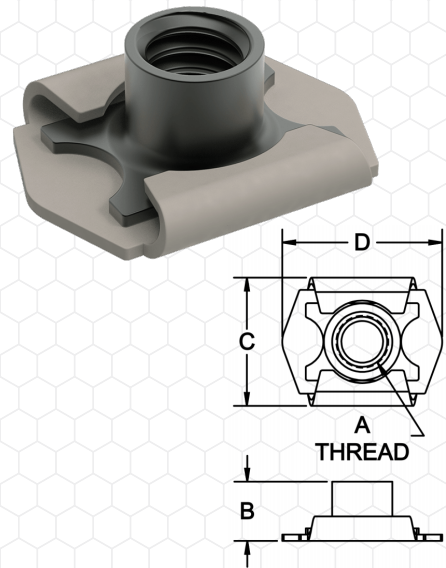
Our Adhesively Bonded Studs are heavy-duty structural parts that provide considerable tensile and shear strength. These studs can be attached to virtually any metal, plastic or composite surface using our acrylic adhesive. They can be bonded on either surface of the base plate, bottom or top. Made of 304 stainless steel for excellent corrosion resistance. The largest two sizes are inertial (friction) welded to a 2" base plate, creating a very strong part with 1200 lbs tensile strength and 1500 lbs shear strength.



ADHESIVELY BONDED STUDS					
PART NO.	A THREAD	B	C DIA	TENSILE STRENGTH (LBS)	SHEAR STRENGTH (LBS)
CL-1024-ABS-1.00-S	#10-24	1	1-1/4	500	650
CL-1420-ABS-1.50-S	1/4-20	1-1/2	1-1/4	500	650
CL-51618-ABS-1.50-S	5/16-18	1-1/2	2	1200	1500
CL-3816-ABS-2.00-S	3/8-16	2	2	1200	1500

Floating Nut Plates

Floating Nut Plates have a captive threaded nut that floats to allow for accurate bolt alignment. Our adhesively bonded nut plates eliminate tapping. These nut plates can be used for either through-hole or blind-hole applications. Made of 304 stainless steel for excellent corrosion resistance. An included rubber fixture insert holds the nut plate stationary while it is bonded in place with acrylic adhesive, keeping the threads clean during installation. Remove the rubber fixture when you are ready to make up the assembly.

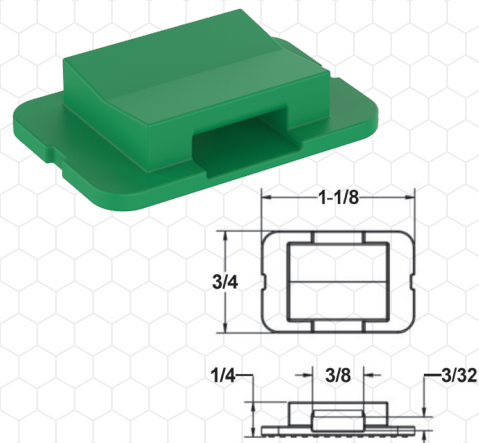


ADHESIVELY BONDED FLOATING NUT PLATES (INCH)				
PART NO.	A THREAD	B	C	D
CL-1024-FNP-S	#10-24	.24	.43	.73
CL-1420-FNP-S	1/4-20	.30	.50	.79

ADHESIVELY BONDED FLOATING NUT PLATES (METRIC)				
PART NO.	A THREAD	B (mm)	C (mm)	D (mm)
CL-508-FNP-S	M5	6.81	10.87	18.8
CL-610-FNP-S	M6	7.39	13.41	24

Lanyard Mounts

This heavy-duty lanyard mount is designed to be bonded with our acrylic adhesive, eliminating drilling, blocking and tapping operations. Provides an excellent average pull strength of 150 lbs. These lanyard mounts fit wire-rope cable lanyards up to .094" diameter (#3) or wire ties up to .35" wide (#5).



ADHESIVELY BONDED LANYARD MOUNTS			
PART NO. (PACK OF 10)	MAXIMUM LANYARD CABLE DIA	MAXIMUM WIRE-TIE WIDTH	AVERAGE PULL STRENGTH (LBS)
CL-5G-ABT-PACKOF10	.094 (#3)	.35	150

Adhesive System

WELD MOUNT® No-Slide Adhesive

This unique structural adhesive is specifically formulated to be used with our adhesively bonded fasteners. Adhesive CL-AT-8040 is a high-strength, high-viscosity methacrylate with incredible strength in both tension and shear, designed to hold any of our adhesively bonded fasteners without sliding or sagging, even on a vertical or overhead surface, with no need for fixturing.

CL-AT-8040 is a solvent-free, VOC-compliant, two-part methacrylate-based, structural adhesive formulated to bond metals, engineered thermoplastics and thermosetting plastics and composites to most metal and composite substrates. It has excellent adhesion to metal surfaces including aluminum, stainless steel, galvanized steel and plated steels. CL-AT-8040 forms a tough high-strength bond, with minimal surface preparation required, developing handling strength in 12 minutes and a functional cure within 45 minutes, making it ideal for production applications. Shear strength exceeds 3500 psi on aluminum, with remarkable impact and peel strengths. Comprehensive Care & Use Instructions are included with this product and can be found at www.carrlane.com.

Note: this product ships to USA and Canada only, via air freight.



WELD MOUNT® NO-SLIDE ADHESIVE				
PART NO.	CARTRIDGE SIZE	MIXING RATIO	REQUIRED DISPENSING GUN	REQUIRED MIXING TIP
CL-AT-8040	50ml	1:1	CL-AT-300	CL-AT-850

Adhesive Dispensing Gun

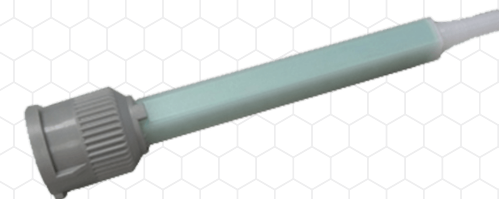
This dispensing gun is designed specifically for use with our WELD MOUNT® two-part adhesive CL-AT-8040, with dual plungers to mix at a 1:1 ratio.



ADHESIVE DISPENSING GUN		
PART NO.	TYPE	MIXING RATIO
CL-AT-300	Dual plunger	1:1

Adhesive Mixing Tip

This 3.5"-long mixing tip is designed specifically for dispensing our CL-AT-8040 two-part adhesive using our CL-AT-300 Adhesive Dispensing Gun. Its unique design eliminates any possibility of the cartridge plugging up as the entry is separated. Sold in pack of 3.



ADHESIVE MIXING TIP	
PART NO.	LENGTH
CL-AT-850-PACKOF3	3.5